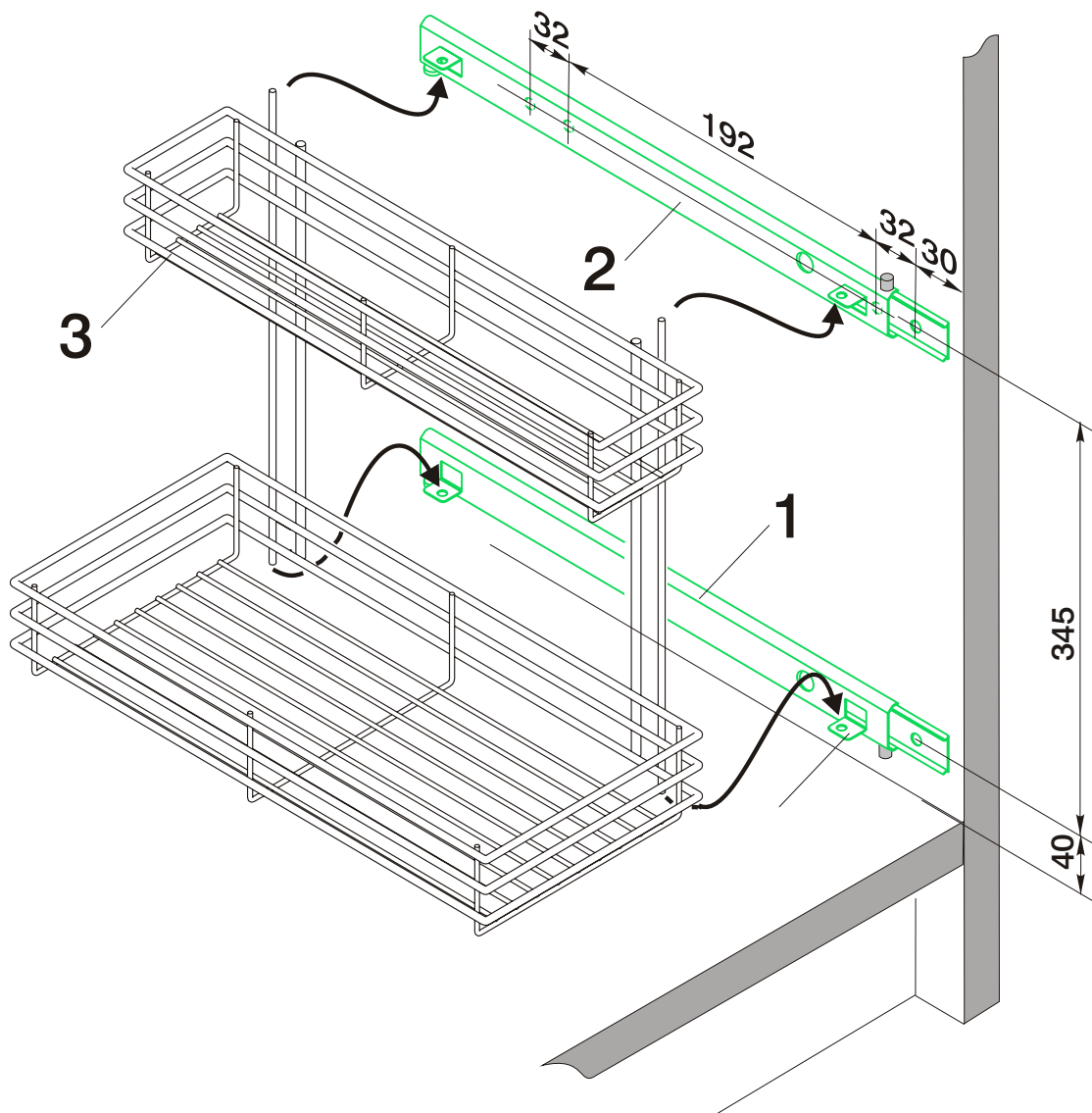


Assembly instructions for sink unit pullout KSUPC



- 1.) Attach the runners to the gable side (can be fitted LH or RH).
The unit must be minimum 300mm wide.
- 2.) Hook the rails at the top of the frame holding the baskets
through the holes in the brackets of the top runner.
- 3.) Lower the bottom rails on the frame holding the baskets
through the holes in the brackets of the bottom runner.