



Neff - U12M42N0GB
BUILT-IN/BUILT-UNDER COOKER/OVEN
Stainless steel

- Bar handle
- Electronic clock
- Operating lights
- Top oven:
- Conventional oven with 2 cooking methods
- QuickConnect shelf supports
- Cooling fan
- Main oven:
- Circotherm oven with 2 cooking methods
- QuickConnect shelf supports
- Round lamp
- TitanEnamel
- Cooling fan

Optional accessories:

- Z1240X2 : ACCESSORIES COOKER/OVEN
- Z1701X1 : ACCESSORIES COOKER/OVEN
- Z1343X0 : Accessory
- Z1342X0 : Accessory
- Z1262X0 : glasspan
- Z1272X0 : ACCESSORIES COOKER/OVEN
- Z1332X0 : Accessory
- Z1512X0 : Accessory

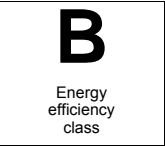
Characteristics

Color / Material Front : Stainless steel
 Built-in / Free-standing : Built-in
 Integrated Cleaning system - cavity 1 : easy to clean enamel
 Dimensions of the product (mm) : 888 x 594 x 550
 Dimensions of the packed product (HxWxD) (mm) : 980 x 660 x 700
 Control Panel Material : Stainless steel
 Door Material : Glass
 Net weight (kg) : 48.00
 Usable volume of cavity (l) : 30
 Cooking method first cavity : Full width grill, Conventional heat
 First cavity material : Enamel
 Temperature control - cavity 1 : mechanical
 Number of interior lights : 1
 Approval certificates : CE, VDE
 Length electrical supply cord (m) :

Consumption and connection features

Energy consumption conventional (kWh) - cavity 1 : 0.79
 Energy consumption forced air convection (kWh) - cavity 1 :
 Electrical connection rating (W) : 4400
 Current (A) : 20
 Voltage (V) : 240
 Frequency (Hz) : 50
 Plug type : No plug

Alternative colors available:

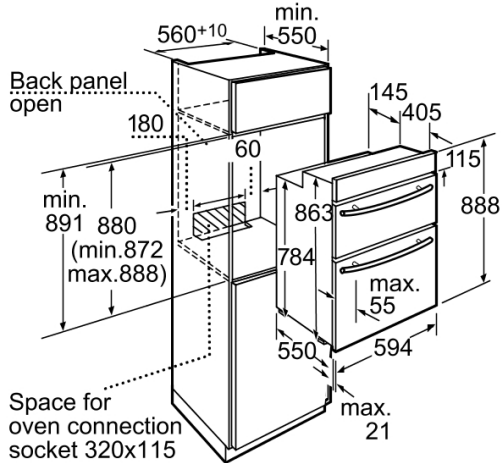


BUILT-IN/BUILT-UNDER COOKER/OVEN
 Neff - U12M42N0GB

Predecessor:
 Successor:
 EAN code: 4242004125747
 sales programme:

Included accessories:

1 x universal pan, 2 x baking and roasting shelf flat, 1 x baking and roasting shelf cranked



Measurements in mm