



Neff - T69S86N0
90 cm Gas hob, Ceramic

- 5 gas burners
- 1 dual wok burner
- 1 high speed, 2 standard, 1 economy burner
- Left: Wok burner 6 KW
- Center front: Standard burner 1.9 KW
- Center rear: Economy burner 1.1 KW
- Rear right: High speed burner 2.8 KW
- Front right: Standard burner 1.9 KW
- Ignition via control dials
- Flame failure safety device
- Cast iron pan supports
- Bevelled design Stainless steel trim
- Electrical cable length 1.5 m
- Preset of natural gas (20mbar)
- LPG jets (28-30/37mbar) included

Optional accessories:

Characteristics
 Product name/family : gas hob w integrated controls
 Built-in / Free-standing :
 Energy input : Gas
 Total number of positions that can be used at the same time : 5
 Type of control setting devices : sword knobs
 Required niche size for installation (HxWxD) : 45 x 850 x 490
 Width of the product (mm) : 918
 Dimensions of the product (mm) : 58 x 918 x 546
 Dimensions of the packed product (HxWxD) (mm) : 170 x 665 x 1115
 Net weight (kg) : 18.00
 Gross weight (kg) : 20.00
 Residual heat indicator : without
 Location of control panel : Hob front
 Type of external control possibility :
 Basic surface material : Ceramic
 Color of surface : Stainless steel, Black
 Color of frame : Black, Stainless steel
 Approval certificates : CE
 Length electrical supply cord (m) : 150.0

Consumption and connection features
 Electrical connection rating (W) : 1
 Gas connection rating (W) : 13700
 Current (A) : 3
 Voltage (V) : 220-240
 Frequency (Hz) : 60; 50

Alternative colors available:

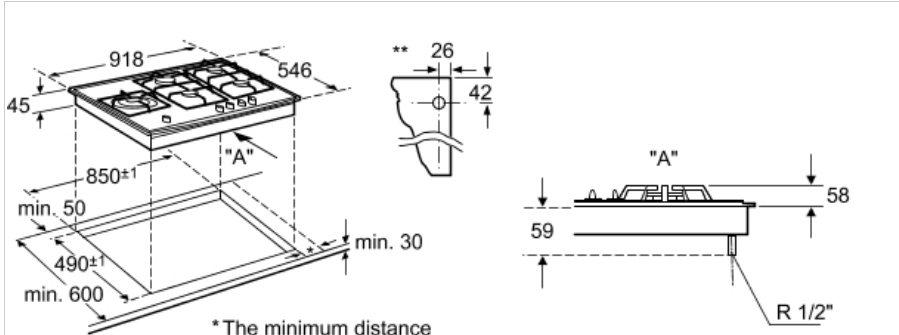
Gas hob
Neff - T69S86N0

Predecessor: T25T8N0GB
Successor:

EAN code: 4242004113508

sales programme:

Included accessories:
1 x WOK attachment ring



Measurements in mm