



**Neff - H53W60S0GB Black  
Microwave oven**

- Suitable for tall housing installation, For installation into a 60cm wide wall cupboard
- 800 W Microwave
- 5 settings: 800 W, 600W, 360W, 180W, 90W
- automatic programming 7
- Side opening door with large viewing window, Left-hand hinged
- 17 litre Stainless steel interior
- Connected load 1.27 kW
- 130 cm power cable: Cable with plug

**Optional accessories:**

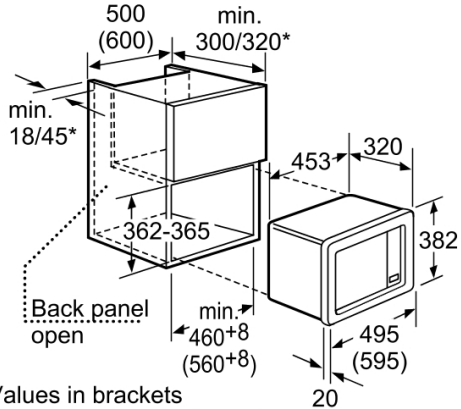
**Characteristics**  
 Type of micro-wave oven : MW only  
 Type of control : electronical  
 Color / Material Front : Black  
 Dimensions of the product (mm) : 280 x 453 x 320  
 Cavity dimensions (mm) : 194 x 290 x 274  
 Length electrical supply cord (m) : 130.0  
 Net weight (kg) : 14.00  
 Gross weight (kg) : 16.00

**Consumption and connection features**  
 Maximum micro-wave power (W) : 800  
 Power of the booster function (W) :  
 Connection Rating (W) : 1270  
 Current (A) : 10  
 Voltage (V) : 230  
 Frequency (Hz) : 50  
 Plug type : GB plug

**Alternative colors available:**

Microwave  
 Neff - H53W60S0GB  
  
 Predecessor:  
 Successor:  
  
 EAN code: 4242004119173  
  
 sales programme:

**Included accessories:**  
 1 x mounting frame



Values in brackets  
 for a 60 cm wide cupboard  
 \* = values for appliance with grill

Measurements in mm