



Neff - C17E74S0GB
Electric compact built-in oven
Black

- Multifunction oven with 14 functions
- 2 elongated lights
- Bar handle
- TitanEnamel
- CeramiClean side, back and roof liners
- Automatic cleaning-mode for EasyClean®
- Full glass inner door
- Cooling fan
- Glass control panel
- Retractable controls
- Electronic control
- Clear text display
- Illuminated operating mode display
- Digital oven temperature display
- Info button
- Rapid heat
- Child safety lock
- Automatic safety switch off
- Electronic clock
- Actual temperature display
- Optical temperature control

Optional accessories:

- Z1342X0 : Accessory
- Z1262X0 : glasspan
- Z1332X0 : Accessory
- Z1240X2 : ACCESSORIES COOKER/OVEN
- Z1343X0 : Accessory
- Z1512X0 : Accessory
- Z1272X0 : ACCESSORIES COOKER/OVEN
- N8642X0EU : System steam cooker

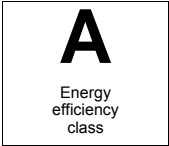
Characteristics

Color / Material Front : Black
 Built-in / Free-standing : Built-in
 Integrated Cleaning system - cavity 1 : oxylytic
 Required niche size for installation (HxWxD) : 450 x 560-570 x 550
 Dimensions of the product (mm) : 454 x 594 x 550
 Dimensions of the packed product (HxWxD) (mm) : 520 x 660 x 690
 Control Panel Material : Glass
 Door Material : Glass
 Net weight (kg) : 31.00
 Usable volume of cavity (l) : 45
 Cooking method first cavity : Soft steaming, Thermo grill, Defrost, Bottom heat, Bread Baking
 Setting, steaming level, Full width grill, Dough proving setting, Hot Air, Pizza setting, Conventional heat, Half width grill
 First cavity material : Enamel
 Temperature control - cavity 1 : electronic
 Number of interior lights : 2
 Approval certificates : VDE, CE
 Length electrical supply cord (m) :

Consumption and connection features

Energy consumption conventional (kWh) - cavity 1 : 0.99
 Energy consumption forced air convection (kWh) - cavity 1 : 0.79
 Electrical connection rating (W) : 2800
 Current (A) : 16
 Voltage (V) : 240
 Frequency (Hz) : 50
 Plug type : No plug

Alternative colors available:



Electric compact built-in oven
 Neff - C17E74S0GB

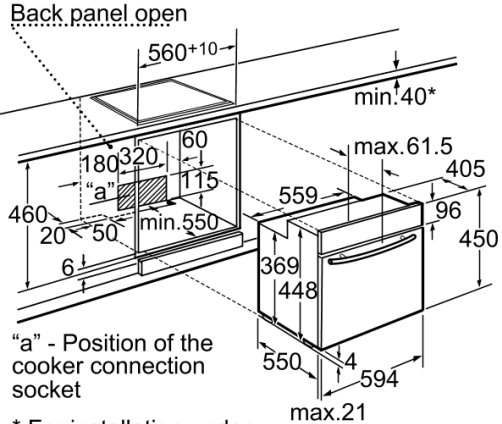
Predecessor:
 Successor:

EAN code: 4242004118169

sales programme:

Included accessories:

1 x baking and roasting shelf cranked, 2 x combination grid, 1 x universal pan



"a" - Position of the cooker connection socket

* For installation under an induction hob, min. 50

Measurements in mm