



Neff - C17E74N0GB
Electric compact built-in oven
Stainless steel

- Multifunction oven with 14 functions
- 2 elongated lights
- Bar handle
- TitanEnamel
- CeramiClean side, back and roof liners
- Automatic cleaning-mode for EasyClean®
- Full glass inner door
- Cooling fan
- Stainless steel control fascia with faceted glass panel
- Retractable controls
- Electronic control
- Clear text display
- Illuminated operating mode display
- Digital oven temperature display
- Info button
- Rapid heat
- Child safety lock
- Automatic safety switch off
- Electronic clock
- Actual temperature display
- Optical temperature control

Optional accessories:

- Z1512X0 : Accessory
- Z1343X0 : Accessory
- Z1342X0 : Accessory
- Z1272X0 : ACCESSORIES COOKER/OVEN
- Z1332X0 : Accessory
- Z1262X0 : glasspan
- Z1240X2 : ACCESSORIES COOKER/OVEN
- N8642X0EU : System steam cooker

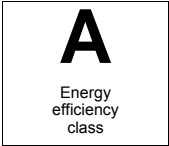
Characteristics

Color / Material Front : Stainless steel
 Built-in / Free-standing : Built-in
 Integrated Cleaning system - cavity 1 : oxylytic
 Required niche size for installation (HxWxD) : 450 x 560-570 x 550
 Dimensions of the product (mm) : 454 x 594 x 550
 Dimensions of the packed product (HxWxD) (mm) : 520 x 660 x 690
 Control Panel Material : stainless steel + glass insert
 Door Material : Glass
 Net weight (kg) : 31.00
 Usable volume of cavity (l) : 45
 Cooking method first cavity : Bottom heat, Thermo grill, Soft steaming, Pizza setting, Conventional heat, Half width grill, Hot Air, Rotisserie, Full width grill, steaming level, Bread Baking Setting, Defrost, Sabbath function, Dough proving setting
 First cavity material : Enamel
 Temperature control - cavity 1 : electronic
 Number of interior lights : 2
 Approval certificates : CE, VDE
 Length electrical supply cord (m) :

Consumption and connection features

Energy consumption conventional (kWh) - cavity 1 : 0.99
 Energy consumption forced air convection (kWh) - cavity 1 : 0.79
 Electrical connection rating (W) : 2800
 Current (A) : 16
 Voltage (V) : 240
 Frequency (Hz) : 50
 Plug type : No plug

Alternative colors available:



Electric compact built-in oven
 Neff - C17E74N0GB

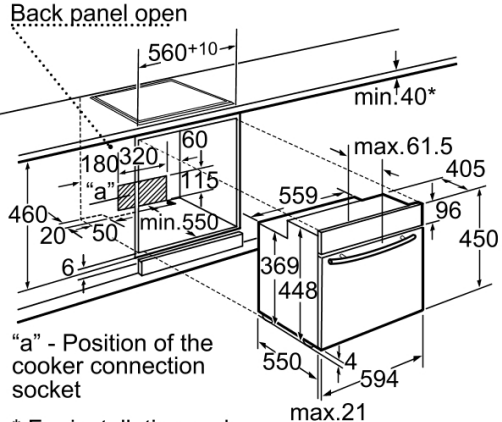
Predecessor:
 Successor:

EAN code: 4242004116486

sales programme:

Included accessories:

1 x baking and roasting shelf cranked, 2 x combination grid, 1 x universal pan



* For installation under an induction hob, min. 50

Measurements in mm